

8 7 6 5 4 3 2 1

F

F

E

E

D

D

C

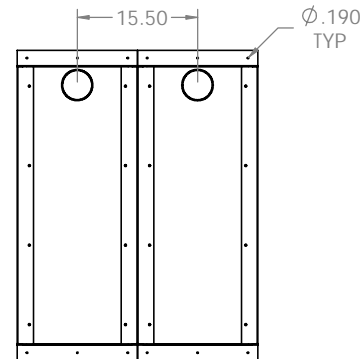
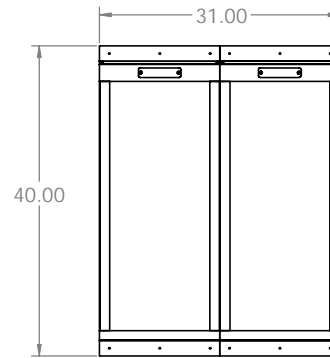
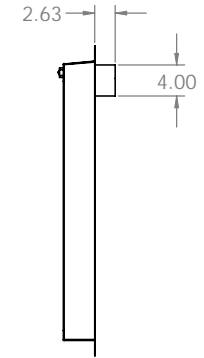
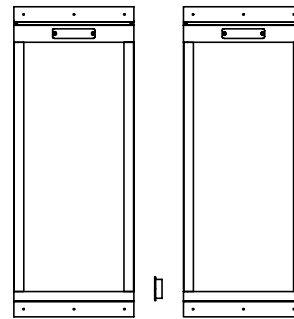
C

B

B

A

A



DWG COPY 2 UNIT REV

<p>PROPRIETARY AND CONFIDENTIAL THE INFORMATION CONTAINED IN THIS DRAWING IS THE SOLE PROPERTY OF SOLAR AIR SYSTEMS, LLC. ANY REPRODUCTION IN WHOLE OR IN PART WITHOUT PERMISSION FROM SOLAR AIR SYSTEMS, LLC IS PROHIBITED.</p>		<p>UNLESS OTHERWISE SPECIFIED: DIMENSIONS ARE IN INCHES TOLERANCES: FRACTIONS ■ DECIMALS ■ RND 8 TWO PLACE DECIMALS ■ FTD THREE PLACE DECIMALS ■ FTD DIMENSIONS UNLESS OTHERWISE SPECIFIED UNLESS OTHERWISE SPECIFIED DIMENSIONS</p>	<table border="1"> <thead> <tr> <th>DATE</th> <th>NAME</th> <th>BY</th> </tr> </thead> <tbody> <tr> <td>9-12-09</td> <td>TR</td> <td>DR</td> </tr> <tr> <td>9-15-09</td> <td>SCR</td> <td>CH</td> </tr> </tbody> </table>	DATE	NAME	BY	9-12-09	TR	DR	9-15-09	SCR	CH	<p>SOLAR AIR SYSTEMS</p>
DATE	NAME	BY											
9-12-09	TR	DR											
9-15-09	SCR	CH											
<p>REVISIONS: 1. REVISED TO ADD DIMENSIONS AND MATERIALS</p>		<p>INSTALLATION, MODEL 1536</p>											
<p>APPROVED: _____ DATE: _____</p>		<p>SCALE: 1/4" = 1' WEIGHT: _____ SHEET 1 OF 1</p>											